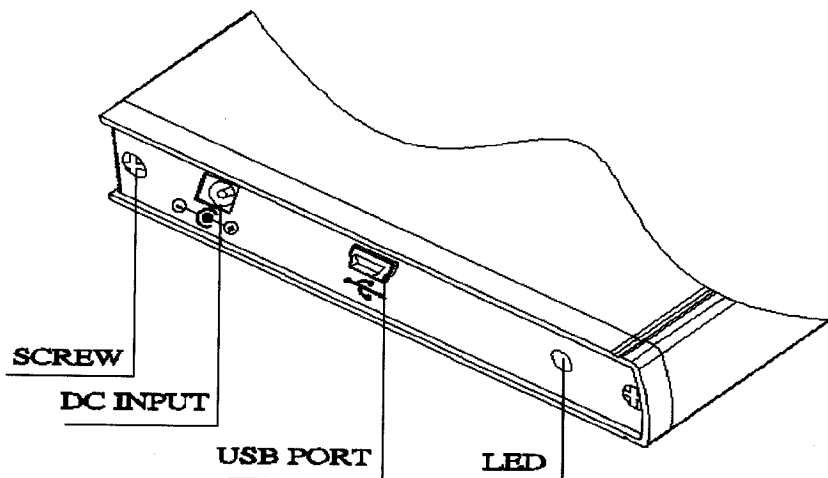
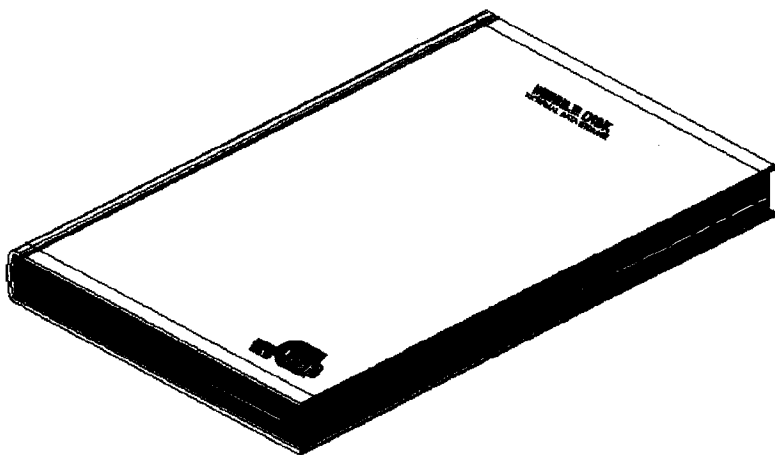


# 2.5" HDD Storage Box

## User's Manual

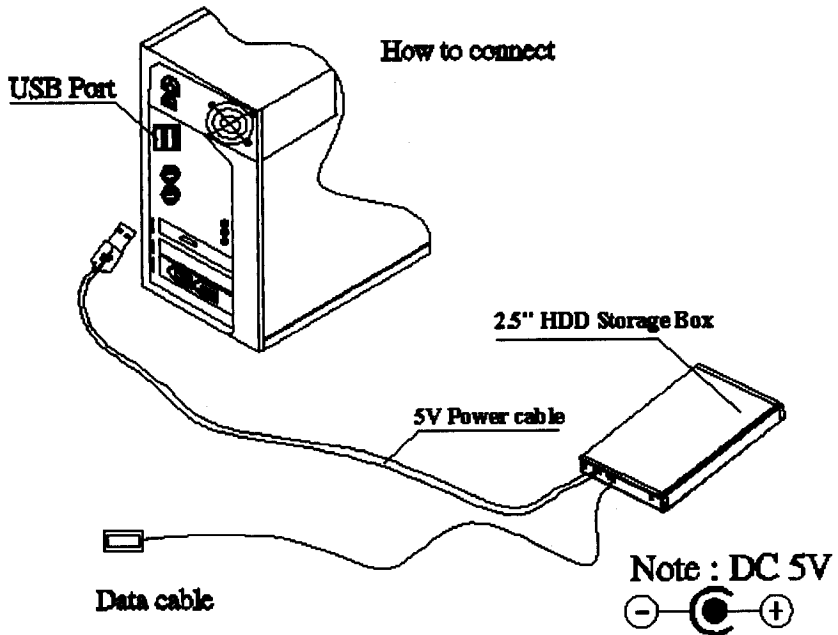
### Features of product ---

- Aluminum structure, light and convenient for data in/out
- Slim/Compact/portable and easy installation for 2.5" HDD
- Support plug and play with high performance transfer rate
- Aluminum structure, light and convenient for data in/out



## INSTALLATION:

1. Loosen the screw from the rear plate.
2. Connect the ATA data connector to your HDD.  
**Note: HDD connector (male) has to meet with the female connector on the PCB precisely.**
3. Slide back the tray (with HDD) into the aluminum box and tighten the screw.



### Software installation –

1. For Window ME/2000/XP and Mac 9.0 or higher, no need of driver installation, installation, system will detect the new device and install the driver automatically.
2. If your system is Window 98SE, for USB type, you will have to install the driver manually